

1) Sensing surface, 2) Potentiometer, 3) LED function indicator, 4) NO or NC selectable, 5) PNP or NPN selectable



Basic features

Approval/Conformity	CE UKCA cULus WEEE
Basic standard	IEC 60947-5-2
Scope of delivery	Screwdriver Short guide
Sensitivity	Switching distance adjustable
Series	D50

Electrical data

No-load current I_0 max. at U_e	15 mA
Operating voltage U_b	10...30 VDC
Rated insulation voltage U_i	75 V DC
Rated operating current I_e	150 mA
Rated operating voltage U_e DC	24 V
Ripple max. (% of U_e)	10 %
Switching frequency	50 Hz
Utilization category	DC -13
Voltage drop static max.	1.5 V

Display/Operation

Function indicator	yes
---------------------------	-----

Electrical connection

Cable length L	2 m
Conductor cross-section	0.25 mm ²
Number of conductors	3
Polarity reversal protected	yes
Protection against device mix-ups	yes
Short-circuit protection	yes

Environmental conditions

Ambient temperature	-30...60 °C
Contamination scale	1
IP rating	IP67

Functional safety

MTTF (40 °C)	230 a
---------------------	-------

Interface

Switching output	PNP/NPN NO/NC programmable
-------------------------	----------------------------

Material

Cover material	POM
Housing material	POM
Material jacket	PVC
Material sensing surface	POM

Mechanical data

Dimension	Ø 50 x 10 mm
Installation	for flush mounting
Size	D50.0

Range/Distance

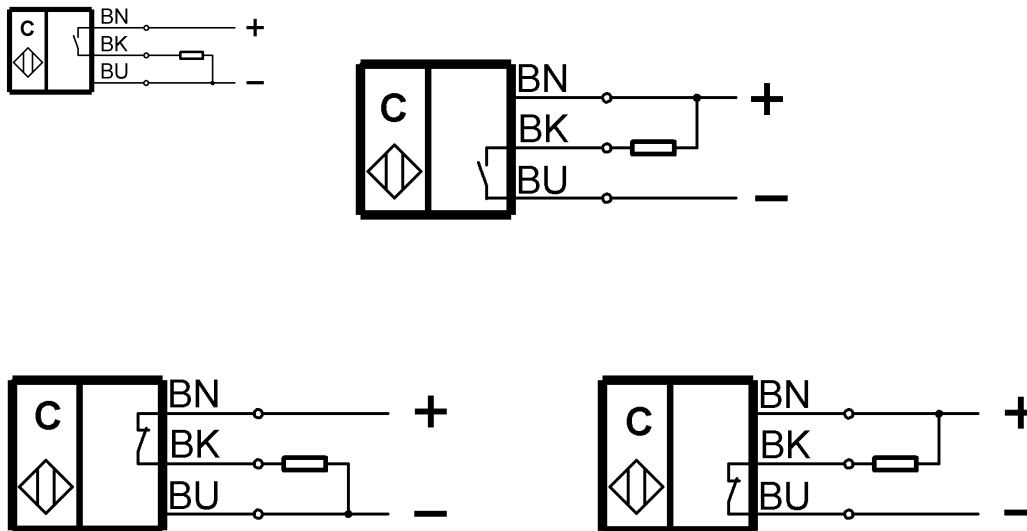
Measuring range	2...25 mm
-----------------	-----------

Remarks

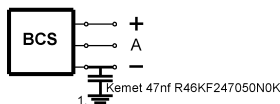
The potentiometer does not have a fixed stop, but can be turned endlessly without destroying anything.
 If no change in the switching signal is detected, the potentiometer should be turned forwards or backwards until a signal change occurs at the output.
 For more information about MTTF and B10d see MTTF / B10d Certificate

Indication of the MTTF- / B10d value does not represent a binding composition and/or life expectancy assurance; these are simply experiential values with no warranty implications. These declared values also do not extend the expiration period for defect claims or affect it in any way.

Wiring Diagrams



Installation remarks



1) Machine GND